

radicon 

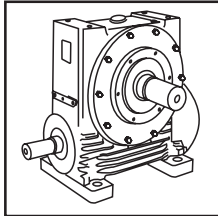
with you at every turn



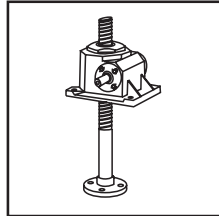
CX-3.00GB0613

PRODUCTS IN THE RANGE

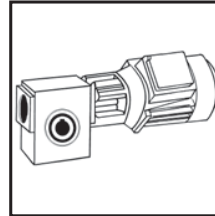
Serving an entire spectrum of mechanical drive applications from food, energy, mining and metal; to automotive, aerospace and marine propulsion, we are here to make a positive difference to the supply of drive solutions.



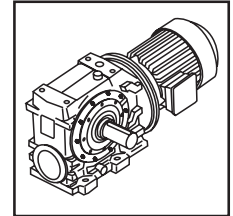
Series A
Worm Gear units
and geared motors
in single & double
reduction types



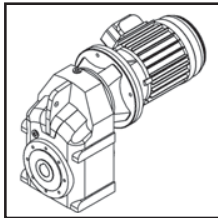
Series BD
Screwjack worm
gear unit



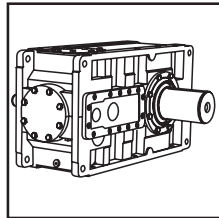
Series BS
Worm gear unit



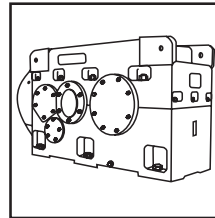
Series C
Right angle drive
helical worm geared
motors & reducers



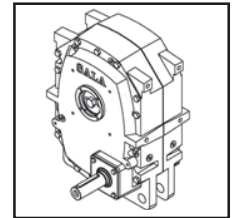
Series F
Parallel angle helical
bevel helical geared
motors & reducers



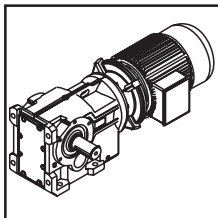
Series G
Helical parallel shaft
& bevel helical right
angle drive gear
units



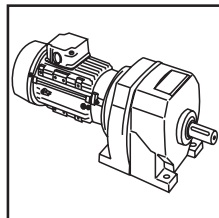
Series H
Large helical parallel
shaft & bevel helical
right angle drive units



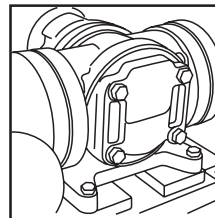
Series J
Shaft mounted
helical speed
reducers



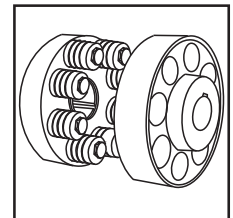
Series K
Right angle helical
bevel helical geared
motors & reducers



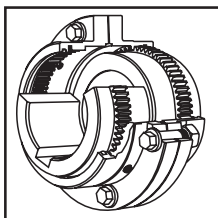
Series M
In-line helical geared
motors & reducers



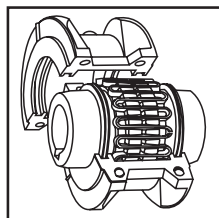
Roloid Gear Pump
Lubrication and fluid
transportation pump



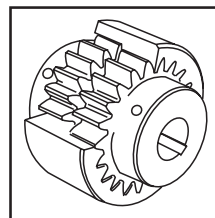
**Series X
Cone Ring**
Pin and bush
elastomer coupling



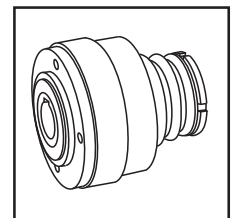
**Series X
Gear**
Torsionally rigid,
high torque coupling



**Series X
Grid**
Double flexing steel
grid coupling



**Series X
Nylicon**
Gear coupling with
nylon sleeve



**Series X
Torque Limiter**
Overload protection
device



We offer a wide range of repair services and many years experience of repairing demanding and highly critical transmissions in numerous industries.

We can create custom engineered transmission solutions of any size and configuration.

COUPLINGS

INTRODUCTION

Couplings

Our range of couplings have been proven to be some of the most reliable, durable and effective couplings in the marketplace. These qualities have been achieved by our attention to detail in design, manufacturing capabilities and application expertise. This ensures our coupling range is capable of providing solutions for a wide and varied range of applications and installations.

Elign Gear Couplings

The Elign range of gear couplings not only connect two rotating shafts, but also accommodate the inevitable misalignment that can occur in installations. The Elign gear coupling is ideally suited to accommodate Radial, Angular and combined Radial and Angular misalignment, whilst also permitting axial movement of the shaft.

The Elign Coupling range comes in 6 types - Single Engagement, Double Engagement, Spacer Type, Vertical Type, Fully Rigid and Continuous Sleeve.

Output Torque: Up to 811000 Lb.ft

Shaft Diameters: Up to 21"

Elflex Pin & Bush Couplings

The Eflex range of pin and bush couplings are ideally suited for applications where a limited amount of misalignment of the shaft is unavoidable. Eflex flexible couplings are cushioned drive type couplings, which transmit the torque through rubber bushes which have an excellent capacity to absorb shocks. The Eflex range is available in 26 sizes.

The Eflex pin and bush range is available up to the following specifications -

Output Torque: Up to 31700 Lb.ft

Shaft Diameters: Up to 18"

Nylicon Couplings

Nylicon couplings compensate for all types of shaft misalignment and are a cost effective solution for low power applications. They are easy to assemble and require zero maintenance offering a reliable low cost solution even in the most arduous and harshest of conditions.

The Nylicon coupling range is available in 3 sizes and up to the following specifications -

Output Torque: Up to 340 Lb.ft

Shaft Diameters: Up to 2.125"

Contents

Selection _____	2
Load classification by application _____	3
Coupling designations _____	4
Elign gear type couplings _____	6
Type ED Double engagement _____	9-10
Type ER Single engagement _____	11-12
Type ET Spacer tube _____	13-14
Type EV Vertical type _____	15
Type ES Continuous sleeve _____	16
Type ERR Fully Rigid _____	17
Elflex flexible pin and bush couplings _____	20
Type EFC Eflex coupling _____	21
Type FC Eflex coupling _____	22
Type EFC Eflex coupling with Taperlock Bush _____	23
Type FBC Eflex coupling with brake drum _____	24
Nylicon gear couplings _____	26-27
Product Safety Information _____	28

COUPLINGS

SELECTION

Mechanical Ratings and Service Factor

The mechanical ratings are a measure of the couplings capacity in terms of life and strength, they assume 10 hours/day operation under uniform loading conditions and allow for a 100% momentary overload at starting or braking

The mechanical Service Factor (fm) is selected dependant on the type of prime mover, the classification of the driven load, and duration of operation

- i) Obtain the driven load classification type from the table **Load Classification by Application**
- ii) Determine the mechanical service factor from the table below:

Prime Mover	Operating Duty Hours/Day	Load Classification Driven Machine		
		U Uniform	M Moderate	H Heavy
Electric Motor Hydraulic Motor	< 3	0.80	1.00	1.50
	3 to 10	1.00	1.25	1.75
	>10	1.25	1.50	2.00
Piston Engine >3 Cylinders	< 3	1.00	1.25	1.75
	3 to 10	1.25	1.50	2.00
	>10	1.50	1.75	2.25

Key to symbols:

- P** = Power transmitted (Hp)
N = Operating speed (rpm)
P/N = Hp/rpm
Fm = Mechanical Service Factor
Tk = Torque Rating (Lb.ft)
Tk (max) = Maximum allowable torque (Lb.ft)
J = Moment of Inertia Lb.ft²
N (max) = Maximum Speed (rpm)

Compute the Required Rating, **P/N** (Hp/rpm), or the effective torque **Tk** (Lb.ft)

$$P/N \text{ (effective)} = \frac{P \text{ (Hp)} \times f_m}{N \text{ (rpm)}}$$

$$Tk \text{ (Lb.ft)} = \frac{5252 \times P \text{ (Hp)} \times f_m}{N \text{ (rpm)}}$$

Select the Coupling

Use the coupling dimension pages to select the coupling type that matches or exceeds the required rating and has a physical size to accommodate the driving and driven shafts

Check the maximum speeds of the application against the maximum speed ratings N (max)

Check the dimensions of the selected coupling compared with the space limitations of the application, ensure there is adequate clearance of shaft extensions, to allow for separation of the coupling parts to align or maintain.

Check that the bore and keyway capacity is adequate for the required duty.

COUPLINGS LOAD CLASSIFICATION BY APPLICATION

Load Classifications - U =Uniform Load M =Moderate Shock Load H =Heavy Shock Load † =Consult our Engineers

Agitators	U	Elevators	U	Machine Tools	M	Pumps	U
Pure liquids	M	Bucket - Uniform load	M	Bending roll	H	Centrifugal proportioning	M
Liquids and solids	M	Bucket - Heavy load	U	Punch press	H	Proportioning	
Liquids variable density	M	Bucket - Continuous	U	Notching press	H	Reciprocating	M
		Centrifugal discharge		Plate planer		Single acting 3+ cylinders	M
Blowers	U	Escalators	U	Other machine tools	M	Double acting 2+ cylinders	†
Centrifugal	M	Freight	U	Main drive	U	Single acting 1 & 2 cylinders	†
Lobe	U	Gravity discharge	U	Aux drive		Double acting 1 cylinder	U
Vane	U	Passenger lifts	†			Rotary- gear type	U
				Metal mills	M	Rotary- lobe type/ vane	M
Brewing & distilling	M	Fans	U	Carriage/main drive	M		
Bottling machinery	M	Centrifugal	U	Draw bench	M	Sand muller	
Brew Kettles	M	Cooling towers	†	Dryer	M		
Cookers	M	Induced draft	†	Flattening machinery	M	Sewage treatment	U
Mash tubs	M	Forced draft	†	Pinch drive	M	Bar screen	U
Scale hopper	M	Fan - Large diameter induced draft	M	Reversing slitters	M	Chemical feeder	U
		Fan - Light, small diameter	M	Scrubber rolls	M	Collector	U
				Table conveyors		Dewatering screw	M
Can filling machinery	M	Feeders	M	Group drives	H	Mixers	M
		Apron	M	Individual drives	H	Scum breaker	M
Crane knife	M	Belt	U	Table conveyors- reversing	H	Thickness	M
		Disc	U	Wire draw	M	Vacuum filters	
Car dumper	M	Reciprocating	H	Wire roll	M		
		Screw	M			Screens	U
Car puller	M			Mills		Air washing	M
		Food industry	U	Cement kiln	H	Rotary, stone or gravel	U
Clarifier	U	Cereal cooker	M	Dryer, Cooler	H	Traveling water intake	
		Dough mixer	M	Kiln (other)	H		
Classifier	M	Meat grinder	M	Rod plain	H	Slab pushers	M
		Meat slicer	M	Rod wedge bar	H		
Clay wokring machinery	H			Rotary/ Ball	H	Stewing	H
Brick press	H	Generators - not welding	U	Tumbling barrel	H		†
Briquette machine	M					Steering gear	U
Clay working machinery	M	Hammer mills	H				
Plug mill	M			Mixers	M	Stokers	
		Hoists	H	Concrete	U		
Compressors	U	Heavy duty	M	Cons density	M	Sugar industry	M
Centrifugal	M	Medium duty	M	Variable density		Can knife	M
Lobe		Skip hoist	M			Crusher	M
Reciprocating	M	Laundry	M	Oil industry		Mills	M
Multi cylinder	H	Tumbler	M	Chiller's	M		
Single cylinder	H	Washer	M	Oil well pump	M	Textile industry	M
				Filter press	M	Batchers	M
Conveyors- Light duty uniform load	U			Rotary kiln	M	Calenders	M
Apron	U	Line shafts	M			Cards	M
Assembly	U	Heavy duty	U	Paper industry	M	Dry cans	M
Belt	U	Light duty	U	Agitator (mixer)	M	Dryers	M
Bucket	U			Barker (hydraulic)	H	Dyeing machinery	M
Chain	U	Lumber industry	M	Barker (mechanical)	H	Knitting machinery	M
Chain	U	Barkers	M	Barking drum	M	Looms	M
Flight	U	Burner conveyor	H	Beater & Pulper	U	Mangles	M
Oven	U	Chain/ Drag saw	H	Bleacher	M	Nappers	M
Screw	U	Chain transfer	H	Calendnders	M	Pads	M
		Chain way transfer	H	Calenders- super	H	Range drive	M
Conveyors - Heavy duty uniform load	M	De- barking drum	H	Converting machine	U	Slashers	M
Apron	M	Edger feed	M	Conveyors	M	Soapers	M
Assembly	M	Gang feed	M	Couch	H	Spinners	M
Belt	M	Green chain	M	Cutters - plates	M	Tenter frame	M
Bucket	M	Live roll	H	Cylinders	M	Washers	M
Chain	M	Log deck	H	Dryers	M	Winders	M
Flight	†	Log haul	H	Felt stretcher	M		
Live roll	†	Log turning	H	Felt whipper	H	Windlass	†
Oven	M	Log conveyor	H	Jordans	M		
Reciprocating	M	Of bearing roll	M	Log haul	M		
Screw	M	Planer feed chaines	M	Machine real	M		
Shaker	†	Planer hoist	M	Presses	M		
		Re-saw conveyor	M	Stock chest	M		
Cranes		Roll cases	H	Suction roll	M		
		Slab conveyor	H	Washers & thickeners	M		
Crusher	H	Sorting table - triple hoist	M	Winders			
Ore	H	Triple hoist - Drive /conveyor	M				
Stone	H	Transfer conveyor	M	Printing presses	†		
Sugar	H	Transfer roll	M				
		Tray drive	M	Pullers			
Dredger	M	Trimmer feed	M	Barge haul	H		
Cable reals	M	Waster conveyor	M				
Conveyors	M	Small waste conveyor (belt)	U				
Cutter head drive	H	Small waste conveyor (chain)	U				
Pumps	M						
Screen drive	H						
Stackers	M						
Winches	M						

COUPLINGS

DESIGNATION'S

Order Code

Type	Coupling Size	Driving hub		Driven hub	
		Bore Type	Bore Size	Bore Type	Bore Size

Example- ED 1600 M 090 M 075

Coupling Types

ELIGN - Gear type couplings

- ED ELIGN Double engagement with Flange
- ER ELIGN Single engagement with Flange
- ET ELIGN Double engagement with Spacer tube
- EV ELIGN Double engagement for vertical operation
- ERR ELIGN Fully Rigid Coupling
- ES ELIGN Double engagement with Continuous sleeve
- EFC **ELFLEX** - Pin and Bush type flexible Couplings
EFC - ELFLEX Standard Coupling
- FC FC - ELFLEX Standard Coupling - Larger size
- FBC FBC - ELFLEX Coupling with integral Brake drum

Bore Types

- A American Parallel Keyway (USAS B17.1:1967)
- M Metric Bore parallel keyway (DIN6885/1)
- T Metric Bore taper keyway (DIN6886)
- C Customer specified
- P Pilot Bored
- B Taper Lock Bush (Elflex only)

Bore Sizes

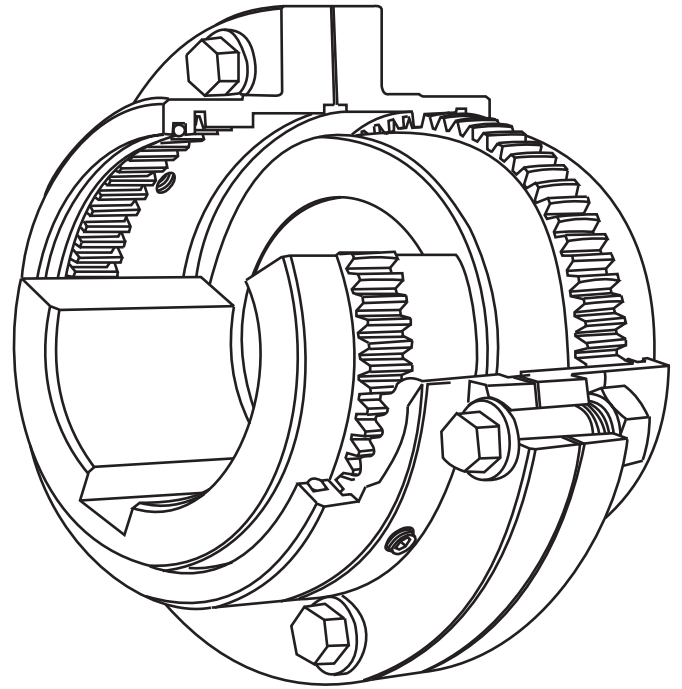
- 014 0.875" diameter (Inch Bore) - See code below for American Bore types
- 090 E.g 90mm diameter (Metric Bore)
- For pilot or Customer specified

NYLICON - Nylon Sleeve Gear Couplings

- X600 NYLICON coupling

Code	Bore Size	Code	Bore Size	Code	Bore Size
012	0.7498"/0.7493"	204	2.2501"/2.2494"	408	4.5002"/4.5003"
013	0.8123"/0.8118"	206	2.3751"/2.3744"	410	4.6252"/4.6243"
014	0.8748"/0.8743"	208	2.5001"/2.4994"	412	4.7502"/4.7493"
015	0.9373"/0.9368"	210	2.6251"/2.6244"	414	4.8752"/4.8743"
100	0.9998"/0.9993"	212	2.7501"/2.7494"	500	5.0002"/4.9993"
101	1.0623"/1.0618"	214	2.8751"/2.8744"	502	5.1252"/5.1243"
102	1.1248"/1.1243"	300	3.0001"/2.9994"	504	5.2502"/5.2493"
103	1.1873"/1.1868"	302	3.1251"/3.1244"	506	5.3752"/5.3743"
104	1.2498"/1.2492"	304	3.2502"/3.2493"	508	5.5002"/5.5003"
105	1.3123"/1.3117"	306	3.3752"/3.3743"	510	5.6252"/5.6243"
106	1.3748"/1.3742"	308	3.5002"/3.5003"	512	5.7502"/5.7493"
107	1.4373"/1.4367"	310	3.6252"/3.6243"	514	5.8752"/5.8743"
108	1.4998"/1.4992"	312	3.7502"/3.7493"	600	6.0002"/5.9993"
110	1.6248"/1.6242"	314	3.8752"/3.8743"	612	6.1252"/6.1243"
112	1.7498"/1.7492"	400	4.0002"/3.9993"	604	6.2502"/6.2493"
114	1.8748"/1.8742"	402	4.1252"/4.1243"	606	6.3752"/6.3743"
200	2.0001"/1.9994"	404	4.2502"/4.2493"	608	6.5002"/6.5003"
202	2.1251"/2.1244"	406	4.3752"/4.3743"		

COUPLINGS



ELIGN

GEAR TYPE COUPLINGS

COUPLINGS

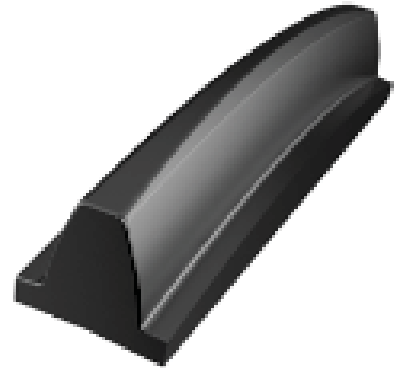
ELIGN GEAR COUPLINGS

The ELIGN Gear Couplings consist of hubs with multi crowned teeth at the flank, tip and chamfer.

The ELIGN hub teeth are manufactured using the latest state of the art CNC machines, and are manufactured from quality forged carbon steel, and are subjected to a number of quality checks and tests.

The superior design of the multi- crowned tooth profile enables the ELIGN gear coupling to operate satisfactorily under all operating conditions with increased reliability and durability. The multi- crowned teeth are tolerant to misalignment whilst improving the load carrying capacity and minimising the level of backlash.

The ELIGN gear coupling is a simple, compact and light unit for transmitting maximum power



Crowned Flanks: The flanks of the teeth are crowned so that the tooth thickness is greatest at that centre of the tooth. This ensures a larger contact area per tooth for higher torque requirements and puts more teeth in contact for a given angle. The actual tooth loading takes place near the centre of the tooth face where the tooth thickness is greatest, crowned flanks also eliminate the end-of-tooth loading, providing optimal load distribution, and can accommodate all types of misalignment with minimum backlash.



Crowned Tips: The tips of the teeth are crowned. To allow accurate pivoting of the hub within the sleeve, this maintains a minimal diametric sleeve clearance and centres the sleeve physically to ensure a good dynamic balance under various loading and misalignment conditions.



Crowned Chamfers: The faces of the teeth adjacent to the tips and are chamfered to eliminate interference with the sleeve tooth fillets. This ensures maximum contact of the hub with the sleeve teeth and it also ensures the freedom of movement to accommodate misalignment



COUPLINGS

ELIGN GEAR COUPLINGS

Gear Couplings

Gear Coupling are used to join two rotating shafts for efficient transmission of mechanical power.

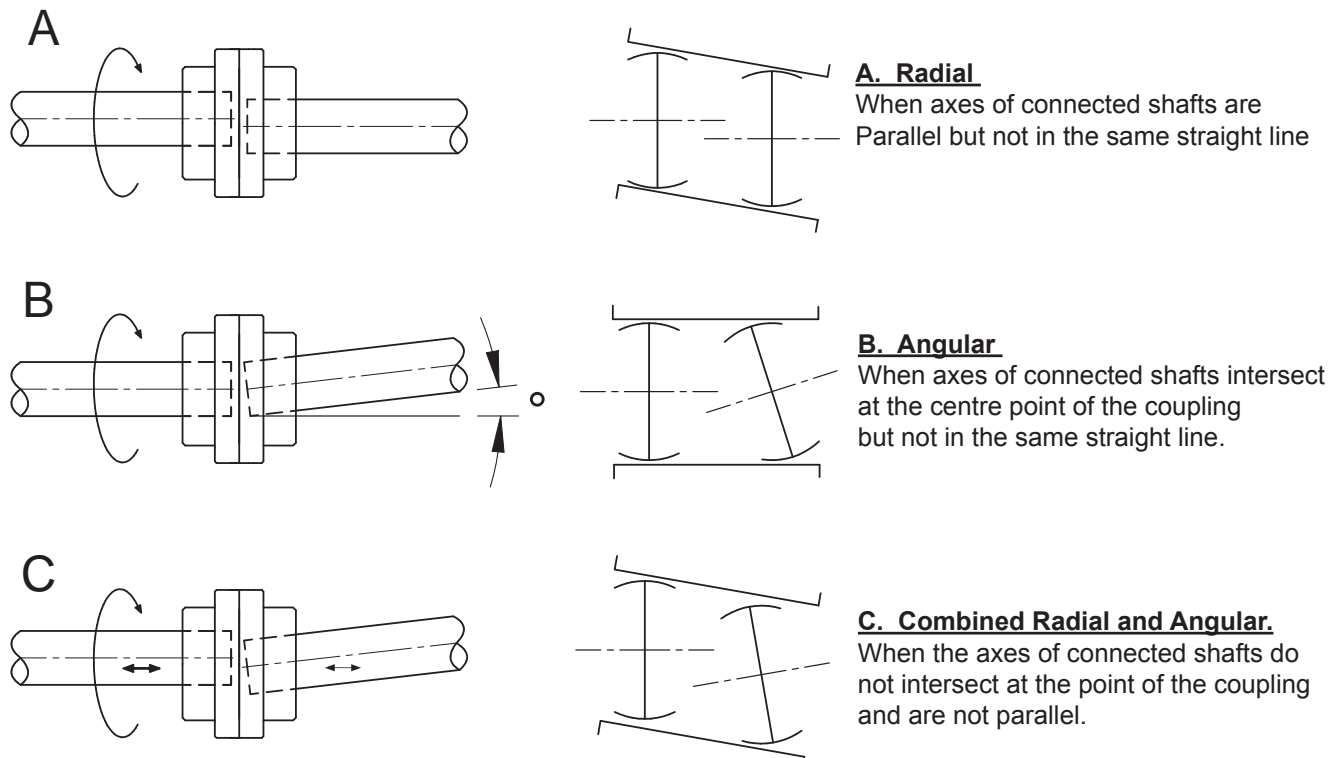
Although the shafts can be accurately aligned at the time of installation, it is likely that during the operation the alignment may get disturbed due to settling of the foundation, thermal expansion, shaft deflection, wearing out of other parts, improper maintenance or many other reasons.

Due to unavoidable misalignment occurring during operation a Gear Coupling provides An ideal solution to compensate or minimise the effect of misalignment. Gear Couplings are therefore ideally suited for wide range of applications in the entire field of drive technology.

Misalignment

The main function of any Gear coupling is not only to connect two rotating shafts but also to accommodate misalignment of the connecting shafts, The ELIGN Gear Coupling accommodates the following three types of misalignment.

ELIGN gear couplings will take care of misalignment at the published levels without any undue damage to the connected equipment, however at higher levels of misalignment the coupling life will be reduced. it is therefore extremely important to align the interconnecting shafts as precisely as possible during the initial installation as further misalignment can occur during operation



Besides the above three types of misalignment, the ELIGN Gear coupling range also permits some axial movement of the shaft.

COUPLINGS

ELIGN GEAR COUPLINGS

Lifting Hole

The hubs of larger size couplings are supplied with lifting holes, as indicated on the dimension sheets.

Lubrication

Each coupling half is provided with a grease nipple / plug from where grease can be filled directly.

WARNING: Grease should be applied

Protection

All components of ELIGN gear couplings have a rust preventative coating.

Coupling Bores

Standard parallel keyways conform to USAS B17.1 1967 and hubs are bored to suit the customers shaft size (see dimension tables for the minimum / maximum allowable bore) standard metric keyways conform to DIN-6885, PART-1 (unless otherwise specified)

Couplings can also be supplied bored to suit customers exact specifications or with the minimum / pilot bore conditions to permit machining by the customer. (the minimum / pilot bore is shown in brackets on the dimension pages)

Key to Symbols

Tk	=	Maximum continuous torque rating (Lb.ft)
Tk(max)	=	Maximum peak (shock) torque rating (Lb.ft)
P/N	=	Maximum continuous rated power per rpm (Hp/rpm)
J	=	Moment of Inertia (Lb.ft ²)
N (max)	=	Maximum Speed (rpm)
M	=	Space required for alignment or replacing seal

Types of ELIGN Gear Couplings

Type ED Double Engagement with Flange Sleeve

Type ER Single Engagement with Flange Sleeve

Type ET Spacer Type

Type EV Vertical Type

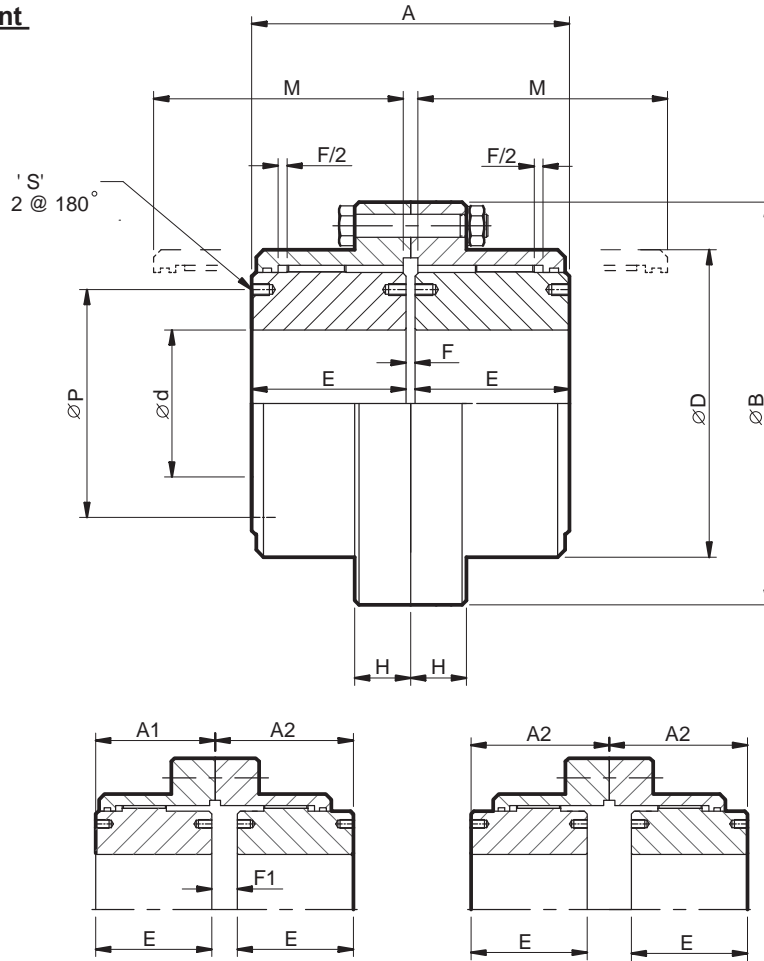
Type ES Continuous Sleeve











































Type ERR Rigid Coupling

COUPLINGS

ELIGN GEAR COUPLINGS

Type ED Double Engagement

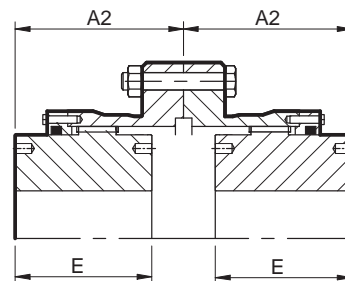
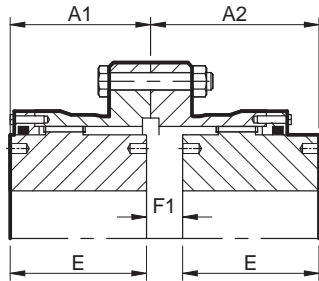
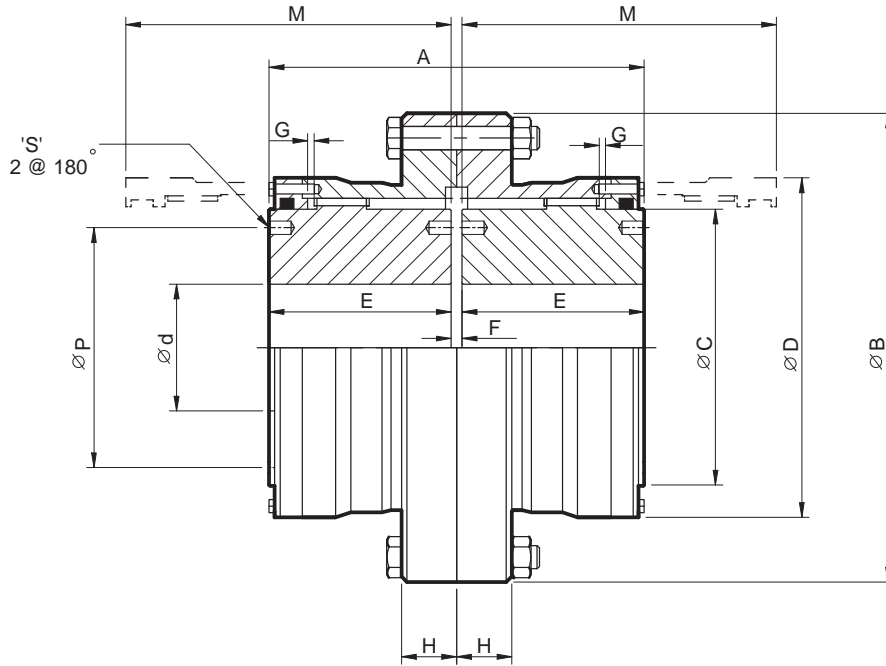



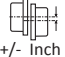

	Tk Lb.ft	Tk max Lb.ft	P / N HP/rpm	A Inch	A1 Inch	A2 Inch	ØB Inch	ØC Inch	Ød Inch	ØD Inch	E Inch	F Inch	F1 Inch	H Inch	M Inch	ØP Inch	S				J Lb.ft²	N max rpm
																						
ED130	959	1918	0.18	3.50	1.75	2.11	4.37	2.64	0.75 - 1.75 (0.40)	3.15	1.69	0.12	0.47	0.55	2.91		-				0.12	7000
ED280	2065	4130	0.39	4.06	2.03	2.26	5.55	3.43	0.81 - 2.25 (0.60)	4.07	1.97	0.12	0.35	0.75	3.31		-				0.36	6200
ED500	3688	7375	0.70	5.00	2.50	3.05	6.73	4.17	1.19 - 3.00 (1.00)	5.10	2.44	0.12	0.67	0.75	4.13		-				0.93	5650
ED1000	7375	14750	1.40	6.18	3.09	3.56	8.27	5.12	1.38 - 3.50 (1.19)	6.14	2.99	0.20	0.67	0.87	4.84		-				2.40	5100
ED1600	11800	23600	2.25	7.28	3.64	4.19	9.21	5.94	1.62 - 4.25 (1.38)	7.13	3.54	0.20	0.75	0.87	5.83	5.12	M8 x 0.47"				4.46	4700
ED2200	16225	32450	3.09	8.50	4.25	4.92	10.79	7.01	2.25 - 5.00 (1.97)	8.23	4.13	0.24	0.91	1.12	6.77	6.10	M8 x 0.47"				10.2	4350
ED3200	23600	47200	4.49	9.69	4.84	5.55	12.28	8.39	2.25 - 5.00 (1.97)	9.72	4.72	0.24	0.94	1.12	7.60	7.28	M10 x 0.59"				20.1	4000
ED4500	33188	66375	6.32	10.94	5.47	6.30	13.27	9.25	3.25 - 6.75 (2.97)	10.75	5.31	0.31	1.14	1.12	8.46	8.07	M12 x 0.71"				31.4	3800
ED6200	45725	91450	8.71	12.13	6.06	7.01	14.96	10.35	3.5 - 7.50 (3.35)	12.09	5.91	0.31	1.26	1.50	9.49	8.90	M16 x 0.94"				58.1	3600
ED8400	61950	123900	11.80	14.09	7.05	8.27	15.94	11.26	4.0 - 8.25 (3.75)	13.31	6.89	0.31	1.54	1.50	10.98	9.84	M16 x 0.94"				88.3	3450
ED11500	84813	169625	16.15	15.28	7.64	9.13	17.48	12.44	4.75 - 9.25 (4.50)	14.49	7.48	0.31	1.81	1.02	11.97	10.87	M16 x 0.94"				128	3300
ED17400	128325	256650	24.43	17.72	8.86	10.12	19.92	14.65	6.00 - 10.75 (5.70)	16.77	8.66	0.39	1.65	1.12	13.35	12.99	M20 x 1.18"				258	3050

COUPLINGS

ELIGN GEAR COUPLINGS

Type ED Double Engagement

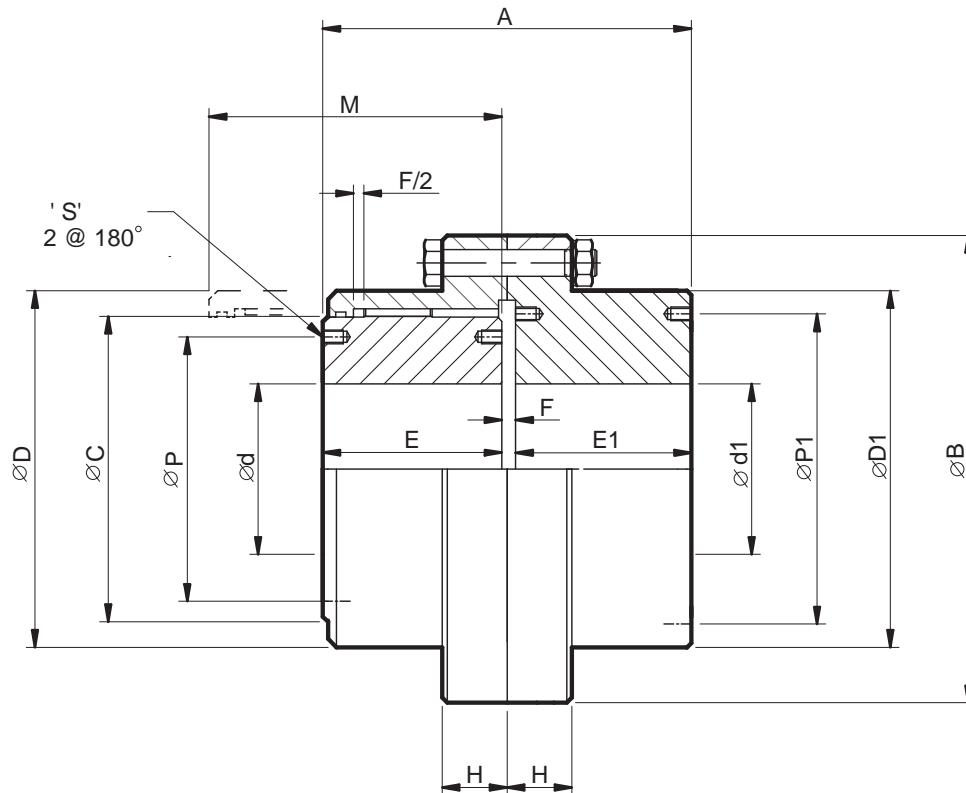




	Tk Lb.ft	Tk max Lb.ft	P / N HP/rpm	A Inch	A1 Inch	A2 Inch	ØB Inch	ØC Inch	Ød Inch	ØD Inch	E Inch	F Inch	F1 Inch	H Inch	M Inch	ØP Inch	S				J Lb.ft²	N max rpm
ED25200	185850	371700	35.39	22.64	11.32	15.41	24.88	16.61	6.50 - 12.00 (6.10)	21.65	11.02	0.59	4.69	1.10	13.19	14.17	M20 x 1.18"	2 X 0.75°	0.07	1478	634.8	1830
ED29000	213875	427750	40.72	23.50	11.75	12.54	25.20	17.01	8.00 - 12.50 (7.67)	20.39	11.50	0.51	1.30	1.50	12.76	14.96	M20 x 1.18"	2 X 0.75°	0.08	1677	735.6	1800
ED37000	272875	545750	51.96	25.20	12.60	17.05	28.15	18.58	8.25 - 13.75 (8.07)	24.25	12.20	0.79	5.24	1.46	14.57	16.14	M24 x 1.57"	2 X 0.75°	0.09	2052	1139	1460
ED45000	331875	663750	63.19	26.77	13.39	18.27	29.53	19.76	9.00 - 14.5 (8.86)	25.51	12.99	0.79	5.67	1.46	15.55	17.13	M24 x 1.57"	2 X 0.75°	0.09	2449	1561	1395
ED56000	413000	826000	78.64	28.07	14.04	15.93	31.65	23.39	11.00 - 17.5 (10.83)	26.85	13.78	0.51	2.40	1.50	14.92	21.42	M24 x 1.57"	2 X 0.75°	0.11	3380	2492	1300
ED75000	553125	1106250	105.32	33.27	16.63	20.41	35.83	24.41	11.5 - 18.75 (11.22)	31.97	16.14	0.98	4.76	1.50	19.09	21.65	M36 x 2.16"	2 X 0.75°	0.12	4809	4699	1000
ED90000	663750	1327500	126.38	34.84	17.42	20.45	38.58	26.38	12.75 - 20.00 (12.41)	33.86	16.93	0.98	4.02	1.81	20.08	23.03	M36 x 2.16"	2 X 0.75°	0.12	5559	6288	940
ED110000	811250	1622500	154.46	36.42	18.21	21.04	40.16	27.56	13.00 - 21.00 (12.80)	35.75	17.72	0.98	3.82	1.81	20.87	24.21	M36 x 2.16"	2 X 0.75°	0.16	6419	7902	900

COUPLINGS

ELIGN GEAR COUPLINGS

Type ER Single engagement

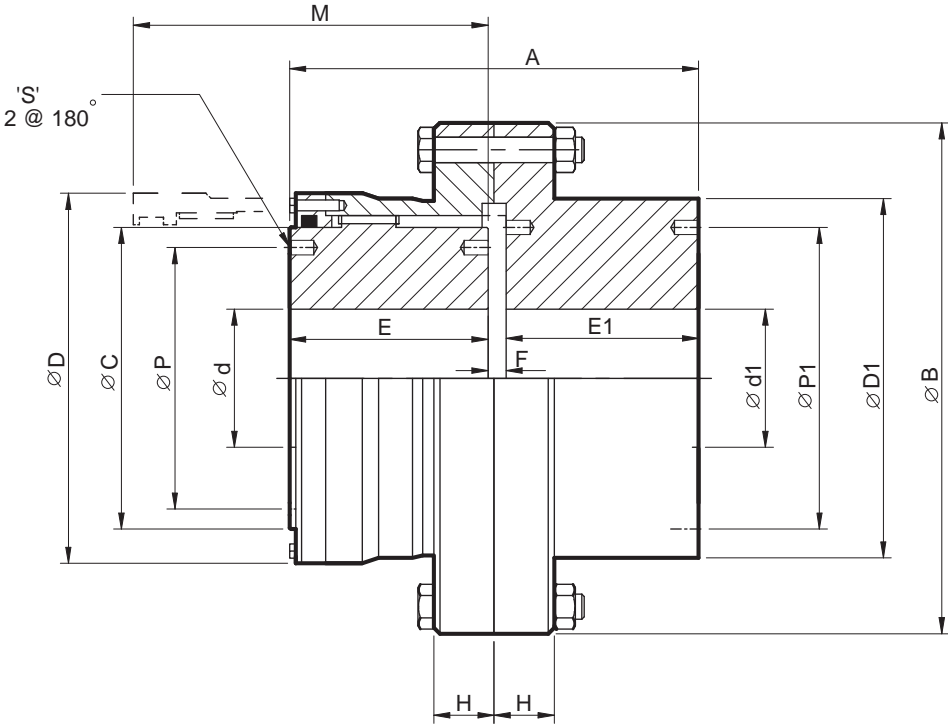




	Tk Lb.ft	Tk max Lb.ft	P / N HR/rpm	A Inch	ØB Inch	ØC Inch	Ød Inch	Ød1 Inch	ØD Inch	ØD1 Inch	E Inch	E1 Inch	F Inch	H Inch	M Inch	ØP Inch	ØP1 Inch	S			J kgm ²	N max rpm
ER130	959	1918	0.18	3.46	4.37	2.64	0.75 - 1.75 (0.40)	0.75 - 2.00 (0.40)	3.15	3.15	1.69	1.57	0.20	0.55	2.91			-	0.75°	8.82	0.12	7000
ER280	2065	4130	0.39	4.02	5.55	3.43	0.81 - 2.25 (0.60)	0.81 - 2.75 (0.60)	4.07	4.07	1.97	1.85	0.20	0.75	3.31			-	0.75°	17.6	0.36	6200
ER500	3688	7375	0.70	4.92	6.73	4.17	1.19 - 3.00 (1.00)	1.19 - 3.50 (1.00)	5.10	4.96	2.44	2.28	0.20	0.75	4.13			-	0.75°	30.9	0.93	5650
ER1000	7375	14750	1.40	6.14	8.27	5.12	1.38 - 3.50 (1.19)	1.38 - 4.25 (1.19)	6.14	5.98	2.99	2.91	0.24	0.87	4.84			-	0.75°	57.4	2.42	5100
ER1600	11800	23600	2.25	7.20	9.21	5.94	1.62 - 4.25 (1.38)	1.62 - 5.00 (1.38)	7.13	7.01	3.54	3.43	0.24	0.87	5.83	5.12	6.10	M8 x 0.47"	0.75°	83.8	4.65	4700
ER2200	16225	32450	3.09	8.37	10.79	7.01	2.25 - 5.00 (1.97)	2.25 - 6.00 (1.97)	8.23	8.19	4.13	3.98	0.26	1.12	6.77	6.10	7.09	M8 x 0.47"	0.75°	135	10.7	4350
ER3200	23600	47200	4.49	9.43	12.28	8.39	2.62 - 6.00 (2.37)	2.62 - 7.00 (2.37)	9.72	9.65	4.72	4.45	0.26	1.12	7.60	7.28	8.27	M10 x 0.59"	0.75°	201	20.7	4000
ER4500	33188	66375	6.32	10.71	13.27	9.25	3.25 - 6.75 (2.97)	3.25 - 7.75 (2.97)	10.75	10.63	5.31	5.08	0.31	1.12	8.46	8.07	9.25	M12 x 0.71"	0.75°	265	32.5	3800
ER6200	45725	91450	8.71	12.13	14.96	10.35	3.5 - 7.50 (3.35)	3.5 - 9.00 (3.35)	12.09	12.01	5.91	5.91	0.31	1.50	9.49	8.90	10.43	M16 x 0.94"	0.75°	386	61.4	3600
ER8400	61950	123900	11.80	14.09	15.94	11.26	4.0 - 8.25 (3.75)	4.0 - 9.75 (3.75)	13.31	12.99	6.89	6.89	0.31	1.50	10.98	9.84	11.42	M16 x 0.94"	0.75°	512	92.8	3450
ER11500	84813	169625	16.15	15.35	17.48	12.44	4.75 - 9.25 (4.50)	4.75 - 11.00 (4.50)	14.49	14.25	7.48	7.48	0.39	1.02	11.97	10.87	12.60	M16 x 0.94"	0.75°	633	134	3300
ER17400	128325	256650	24.43	17.83	19.92	14.65	6.00 - 10.75 (5.70)	6.00 - 13.00 (5.70)	16.77	16.38	8.66	8.66	0.51	1.12	13.35	12.99	14.57	M20 x 1.18"	0.75°	949	273	3050

COUPLINGS

ELIGN GEAR COUPLINGS

Type ER Single Engagement

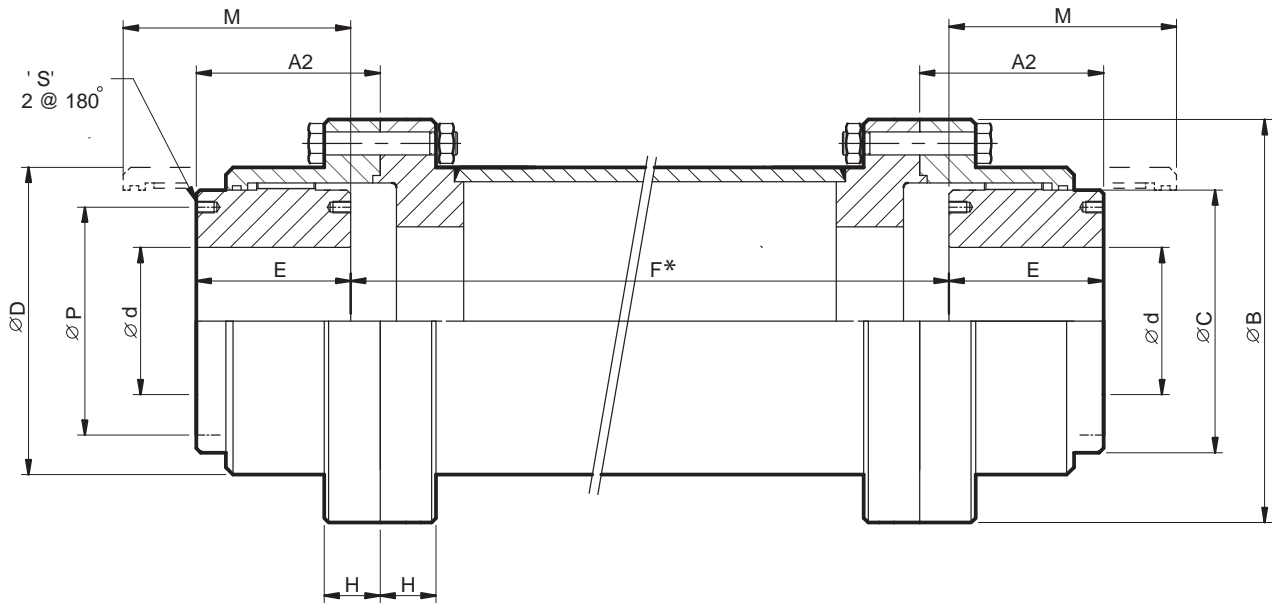


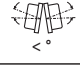

	Tk	Tk _{max}	P / N	A	ØB	ØC	Ød	Ød1	ØD	ØD1	E	E1	F	H	M	ØP	ØP1	S			J	N _{max}
	Lb.ft	Lb.ft	HP/rpm	Inch	Inch	Inch	Inch	Inch	Inch	Inch	Inch	Inch	Inch	Inch	Inch	Inch	Inch		< °	Lb	Lb.ft ²	rpm
ER25200	185850	371700	35.39	22.52	24.88	16.61	6.50 - 12.00 (6.10)	6.50 - 13.25 (6.10)	21.65	18.50	11.02	11.02	0.47	1.10	13.19	14.17	15.55	M20 x 1.18"	0.75°	1557	621	1830
ER29000	213875	427750	40.72	23.56	25.20	17.01	8.00 - 12.50 (7.67)	8.00 - 14.25 (7.67)	20.39	20.16	11.50	11.50	0.57	1.50	12.76	14.96	17.91	M20 x 1.18"	0.75°	1809	796	1880
ER37000	272875	545750	51.96	25.06	28.15	18.58	8.25 - 13.75 (8.07)	8.25 - 14.75 (8.07)	24.25	21.06	12.20	12.20	0.65	1.46	14.57	16.14	17.52	M24 x 1.57"	0.75°	2171	1145	1460
ER45000	331875	663750	63.19	26.63	29.53	19.76	9.00 - 14.5 (8.86)	9.00 - 16.00 (8.86)	25.51	22.44	12.99	12.99	0.65	1.46	15.55	17.13	18.90	M24 x 1.57"	0.75°	2581	1520	1395

COUPLINGS

ELIGN GEAR COUPLINGS

Type ET Spacer Tube

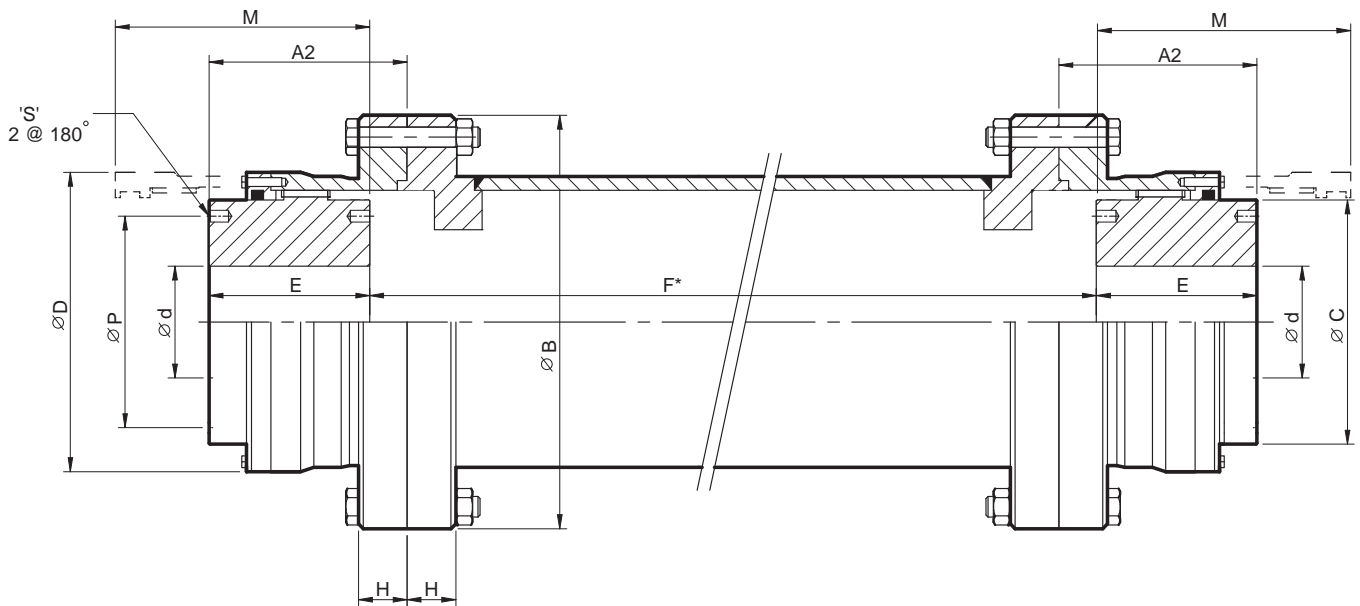



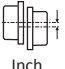
	Tk Lb.ft	Tk max Lb.ft	P / N HR/rpm	A2 Inch	ØB Inch	ØC Inch	Ød Inch	ØD Inch	E Inch	F Inch	H Inch	M Inch	ØP Inch	S		
ET130	959	1918	0.18	2.11	4.37	2.64	0.75 - 1.75 (0.40)	3.15	1.69	*	0.55	2.91		-	2 X 0.75°	0.06
ET280	2065	4130	0.39	2.26	5.55	3.43	0.81 - 2.25 (0.60)	4.07	1.97	*	0.75	3.31		-	2 X 0.75°	0.06
ET500	3688	7375	0.70	3.05	6.73	4.17	1.19 - 3.00 (1.00)	5.10	2.44	*	0.75	4.13		-	2 X 0.75°	0.06
ET1000	7375	14750	1.40	3.56	8.27	5.12	1.38 - 3.50 (1.19)	6.14	2.99	*	0.87	4.84		-	2 X 0.75°	0.10
ET1600	11800	23600	2.25	4.19	9.21	5.94	1.62 - 4.25 (1.38)	7.13	3.54	*	0.87	5.83	5.12	M8 x 0.47"	2 X 0.75°	0.10
ET2200	16225	32450	3.09	4.92	10.79	7.01	2.25 - 5.00 (1.97)	8.23	4.13	*	1.12	6.77	6.10	M8 x 0.47"	2 X 0.75°	0.12
ET3200	23600	47200	4.49	5.55	12.28	8.39	2.62 - 6.00 (2.37)	9.72	4.72	*	1.12	7.60	7.28	M10 x 0.59"	2 X 0.75°	0.12
ET4500	33188	66375	6.32	6.30	13.27	9.25	3.25 - 6.75 (2.97)	10.75	5.31	*	1.12	8.46	8.07	M12 x 0.71"	2 X 0.75°	0.16
ET6200	45725	91450	8.71	7.01	14.96	10.35	3.5 - 7.50 (3.35)	12.09	5.91	*	1.50	9.49	8.90	M16 x 0.94"	2 X 0.75°	0.16
ET8400	61950	123900	11.80	8.27	15.94	11.26	4.0 - 8.25 (3.75)	13.31	6.89	*	1.50	10.98	9.84	M16 x 0.94"	2 X 0.75°	0.16
ET11500	84813	169625	16.15	9.13	17.48	12.44	4.75 - 9.25 (4.50)	14.49	7.48	*	1.02	11.97	10.87	M16 x 0.94"	2 X 0.75°	0.16
ET17400	128325	256650	24.43	10.12	19.92	14.65	6.00 - 10.75 (5.70)	16.77	8.66	*	1.12	13.35	12.99	M20 x 1.18"	2 X 0.75°	0.22

COUPLINGS

ELIGN GEAR COUPLINGS

Type ET Spacer Tube

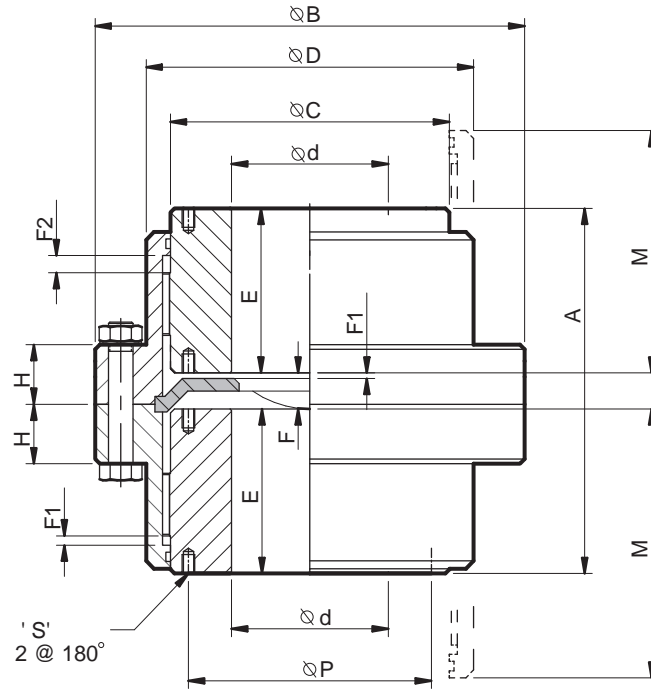



	Tk	Tk max	P / N	A2	ØB	ØC	Ød	ØD	E	F	H	M	ØP	S		
	Lb.ft	Lb.ft	HP/rpm	Inch	Inch	Inch	Inch	Inch	Inch	Inch	Inch	Inch	Inch		< °	Inch
ET25200	185850	371700	35.39	15.41	24.88	16.61	6.50 - 12.00 (6.10)	21.65	11.02	*	1.10	13.19	14.17	M20 x 1.18"	2 X 0.75°	0.39
ET29000	213875	427750	40.72	12.54	25.20	17.01	8.00 - 12.50 (7.67)	20.39	11.50	*	1.50	12.76	14.96	M20 x 1.18"	2 X 0.75°	0.26
ET37000	272875	545750	51.96	17.05	28.15	18.58	8.25 - 13.75 (8.07)	24.25	12.20	*	1.46	14.57	16.14	M24 x 1.57"	2 X 0.75°	0.47
ET45000	331875	663750	63.19	18.27	29.53	19.76	9.00 - 14.5 (8.86)	25.51	12.99	*	1.46	15.55	17.13	M24 x 1.57"	2 X 0.75°	0.45
ET56000	413000	826000	78.64	15.93	31.65	23.39	11.00 - 17.5 (10.83)	26.85	13.78	*	1.50	14.92	21.42	M24 x 1.57"	2 X 0.75°	0.26
ET75000	553125	1106250	105.32	20.41	35.83	24.41	11.5 - 18.75 (11.22)	31.97	16.14	*	1.50	19.09	21.65	M36 x 2.16"	2 X 0.75°	0.41
ET90000	663750	1327500	126.38	20.45	38.58	26.38	12.75 - 20.00 (12.41)	33.86	16.93	*	1.81	20.08	23.03	M36 x 2.16"	2 X 0.75°	0.61
ET110000	811250	1622500	154.46	21.04	40.16	27.56	13.00 - 21.00 (12.80)	35.75	17.72	*	1.81	20.87	24.21	M36 x 2.16"	2 X 0.75°	0.16

COUPLINGS

ELIGN GEAR COUPLINGS

Type EV Vertical Coupling

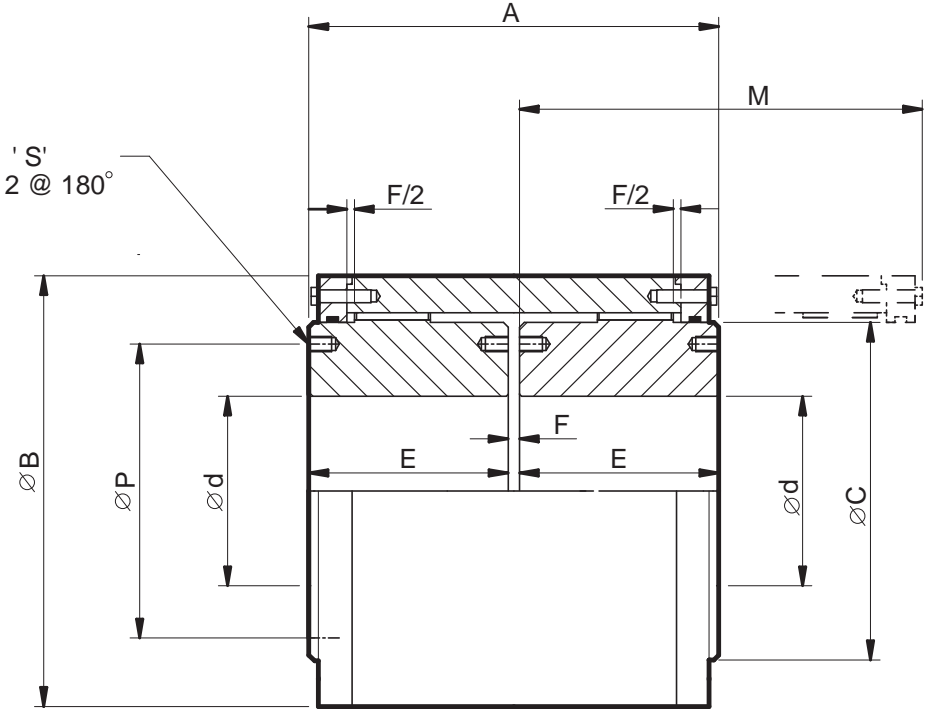



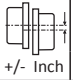

	Tk	Tk _{max}	P / N	A	$\varnothing B$	$\varnothing C$	$\varnothing d$	$\varnothing D$	E	F	F ₁	F ₂	H	M	$\varnothing P$	S	
	Lb.ft	Lb.ft	HP/rpm	Inch	Inch	Inch	Inch	Inch	Inch	Inch	Inch	Inch	Inch	Inch	Inch		< °
EV130	959	1918	0.18	3.70	4.37	2.64	0.75 - 1.75 (0.40)	3.15	1.69	0.31	0.06	0.22	0.55	2.91		-	2 X 0.75°
EV280	2065	4130	0.39	4.13	5.55	3.43	0.81 - 2.25 (0.60)	4.07	1.97	0.20	0.06	0.22	0.75	3.31		-	2 X 0.75°
EV500	3688	7375	0.70	5.37	6.73	4.17	1.19 - 3.00 (1.00)	5.10	2.44	0.49	0.06	0.24	0.75	4.13		-	2 X 0.75°
EV1000	7375	14750	1.40	6.42	8.27	5.12	1.38 - 3.50 (1.19)	6.14	2.99	0.43	0.10	0.33	0.87	4.84		-	2 X 0.75°
EV1600	11800	23600	2.25	7.58	9.21	5.94	1.62 - 4.25 (1.38)	7.13	3.54	0.49	0.10	0.33	0.87	5.83	5.12	M8 x 0.47"	2 X 0.75°
EV2200	16225	32450	3.09	8.82	10.79	7.01	2.25 - 5.00 (1.97)	8.23	4.13	0.55	0.12	0.47	1.12	6.77	6.10	M8 x 0.47"	2 X 0.75°
EV3200	23600	47200	4.49	10.04	12.28	8.39	2.62 - 6.00 (2.37)	9.72	4.72	0.59	0.12	0.47	1.12	7.60	7.28	M10 x 0.59"	2 X 0.75°
EV4500	33188	66375	6.32	11.30	13.27	9.25	3.25 - 6.75 (2.97)	10.75	5.31	0.67	0.16	0.63	1.12	8.46	8.07	M12 x 0.71"	2 X 0.75°
EV6200	45725	91450	8.71	12.6	15.0	10.4	3.5 - 7.50 (3.35)	12.09	5.91	0.79	0.16	0.63	1.50	9.49	8.90	M16 x 0.94"	2 X 0.75°
EV8400	61950	123900	11.80	14.8	15.9	11.3	4.0 - 8.25 (3.75)	13.31	6.89	1.06	0.16	0.63	1.50	10.98	9.84	M16 x 0.94"	2 X 0.5°
EV11500	84813	169625	16.15	16.3	17.5	12.4	4.75 - 9.25 (4.50)	14.49	7.48	1.34	0.16	0.63	1.02	11.97	10.87	M16 x 0.94"	2 X 0.5°
EV17400	128325	256650	24.43	18.4	19.9	14.6	6.00 - 10.75 (5.70)	16.77	8.66	1.10	0.20	0.79	1.12	13.35	12.99	M20 x 1.18"	2 X 0.5°

COUPLINGS

ELIGN GEAR COUPLINGS

Type ES Continuous Sleeve

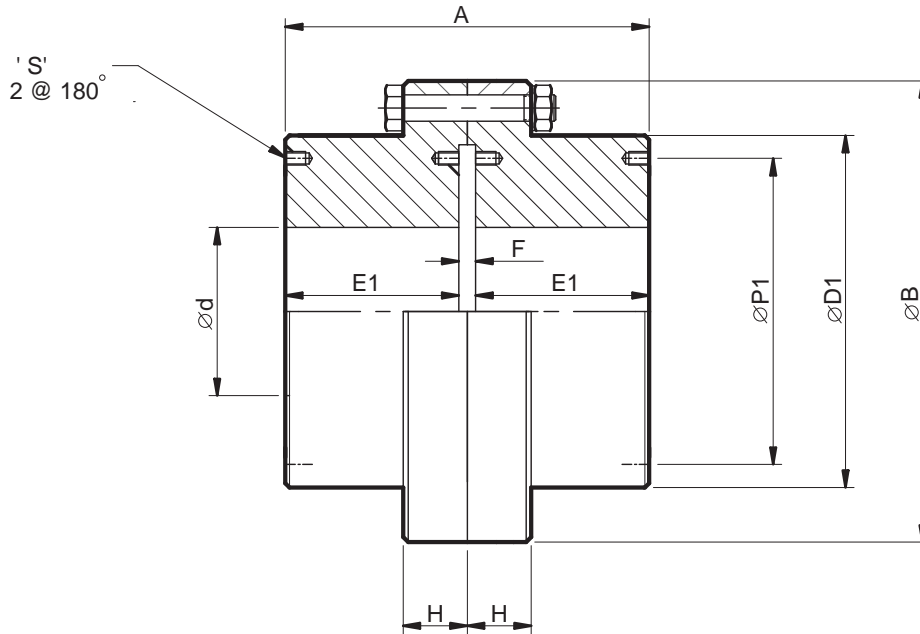



	Tk lb.ft	Tk max lb.ft	P / N HP/rpm	A Inch	ØB Inch	ØC Inch	Ød Inch	E Inch	F Inch	M Inch	ØP Inch	S	 °	 +/- Inch	 Lb	J lb.ft²	N max rpm
ES1600	11800	23600	2.25	7.28	7.32	5.94	1.62 - 4.25 (1.38)	3.54	0.20	8.58	5.12	M8 x 0.47"	2 X 0.75°	0.03	75	3.75	4700
ES2200	16225	32450	3.09	8.50	8.50	7.01	2.25 - 5.00 (1.97)	4.13	0.24	10.12	6.10	M8 x 0.47"	2 X 0.75°	0.04	115	7.88	4350
ES3200	23600	47200	4.49	9.69	10.00	8.39	2.62 - 6.00 (2.37)	4.72	0.24	11.38	7.28	M10 x 0.59"	2 X 0.75°	0.04	181	17.51	4000
ES4500	33187.5	66375	6.32	10.94	11.10	9.25	3.25 - 6.75 (2.97)	5.31	0.31	12.80	8.07	M12 x 0.71"	2 X 0.75°	0.04	247	29.78	3800
ES6200	45725	91450	8.71	12.13	12.48	10.35	3.5 - 7.50 (3.35)	5.91	0.31	14.09	8.90	M16 x 0.94"	2 X 0.75°	0.05	340	52.13	3600
ES8400	61950	123900	11.80	14.09	13.62	11.26	4.0 - 8.25 (3.76)	6.89	0.31	16.50	9.84	M16 x 0.94"	2 X 0.75°	0.06	461	83.29	3450
ES11500	84812.5	169625	16.15	15.28	14.80	12.44	4.75 - 9.25 (4.50)	7.48	0.31	18.07	10.87	M16 x 0.94"	2 X 0.75°	0.06	582	127.00	3300
ES17400	128325	256650	24.43	17.72	17.17	14.65	6.00 - 10.75 (5.70)	8.66	0.39	20.20	12.99	M20 x 1.18"	2 X 0.75°	0.07	878	261.03	3050

COUPLINGS

ELIGN GEAR COUPLINGS

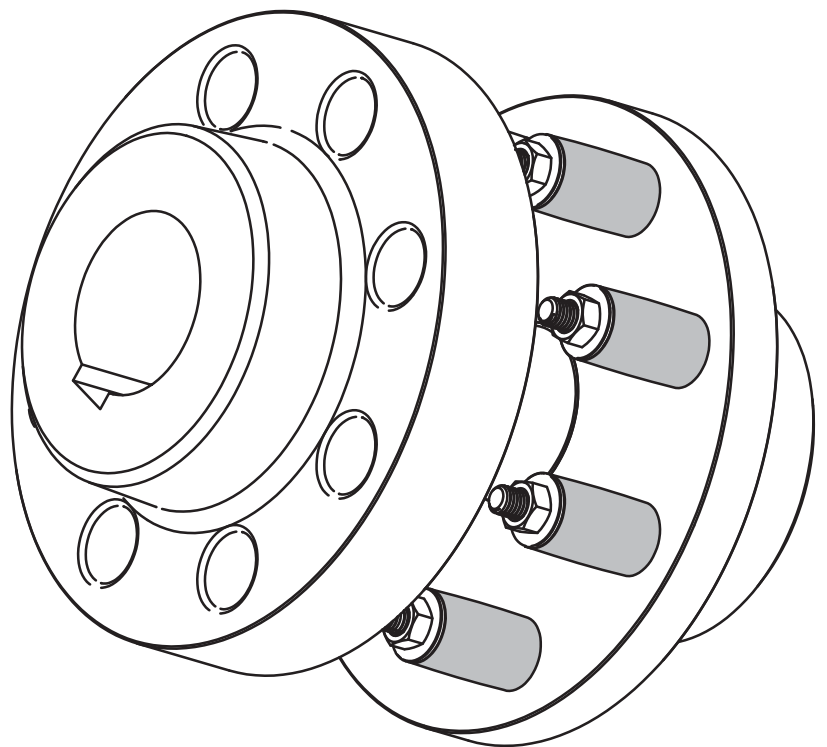
Type ERR Fully Rigid



	Tk	Tk max	P / N	A	ØB	Ød1	ØD1	E1	F	H	M	ØP	ØP1	S	 Lb	J	N max
	Lb.ft	Lb.ft	HP/rpm	Inch	Inch	Inch	Inch	Inch	Inch	Inch	Inch	Inch	Inch		Lb	Lb.ft ²	rpm
ERR130	959	1918	0.18	3.43	4.37	0.75 - 2.00 (0.40)	3.15	1.57	0.28	0.55	2.91			-	8.8	0.12	7000
ERR280	2065	4130	0.39	3.98	5.55	0.81 - 2.75 (0.60)	4.07	1.85	0.28	0.75	3.31			-	18	0.36	6200
ERR500	3688	7375	0.70	4.84	6.73	1.19 - 3.50 (1.00)	4.96	2.28	0.28	0.75	4.13			-	31	0.93	5650
ERR1000	7375	14750	1.40	6.10	8.27	1.38 - 4.25 (1.19)	5.98	2.91	0.28	0.87	4.84			-	57	2.42	5100
ERR1600	11800	23600	2.25	7.13	9.21	1.62 - 5.00 (1.38)	7.01	3.43	0.28	0.87	5.83	5.12	6.10	M8 x 0.47"	84	4.65	4700
ERR2200	16225	32450	3.09	8.23	10.79	2.25 - 6.00 (1.97)	8.19	3.98	0.28	1.12	6.77	6.10	7.09	M8 x 0.47"	135	10.68	4350
ERR3200	23600	47200	4.49	9.17	12.28	2.62 - 7.00 (2.37)	9.65	4.45	0.28	1.12	7.60	7.28	8.27	M10 x 0.59"	201	20.67	4000
ERR4500	33188	66375	6.32	10.47	13.27	3.25 - 7.75 (2.97)	10.63	5.08	0.31	1.12	8.46	8.07	9.25	M12 x 0.71"	265	32.46	3800
ERR6200	45725	91450	8.71	12.13	14.96	3.5 - 9.00 (3.35)	12.01	5.91	0.31	1.50	9.49	8.90	10.43	M16 x 0.94"	386	61.37	3600
ERR8400	61950	123900	11.80	14.09	15.94	4.0 - 9.75 (3.76)	12.99	6.89	0.31	1.50	10.98	9.84	11.42	M16 x 0.94"	512	92.78	3450
ERR11500	84813	169625	16.15	15.43	17.48	4.75 - 11.00 (4.50)	14.25	7.48	0.47	1.02	11.97	10.9	12.60	M16 x 0.94"	633	134.2	3300
ERR17400	128325	256650	24.43	17.95	19.92	6.00 - 13.00 (5.70)	16.38	8.66	0.63	1.12	13.35	12.99	14.57	M20 x 1.18"	949	272.9	3050

COUPLINGS

NOTES



ELFLEX

FLEXIBLE PIN AND BUSH COUPLING

COUPLINGS

ELFLEX FLEXIBLE COUPLINGS

ELFLEX COUPLINGS

ELFLEX Flexible couplings transmit torque from one shaft to another and are particularly useful in cases where a limited amount of misalignment of the shafts is unavoidable.

ELFLEX flexible couplings are cushioned drive pin and bush type couplings that transmits the torque through rubber bushes which have an excellent capacity to absorb shock loads. The flanges are manufactured from high quality cast iron and are suitable for speeds up to the maximum limits as listed in the dimension tables.

FEATURES OF ELFLEX FLEXIBLE COUPLINGS

Permits drive in either direction and are suitable for driving all classes of machinery.

Low maintenance, Lubrication is not required.

No further adjustment is necessary after initial alignment.

Barrel shaped bushes ensure effective shock and vibration absorption.

The rubber bushes are tolerant to water,dust and other atmospheric conditions.

Facility to dismantle the machines simply by just removing the coupling bolts and rubber bushes.

The couplings work within the permissible limits of misalignment as per BS : 3170

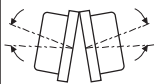
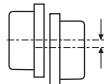
Hubs are bored to suit the customers shaft size (see dimension tables for the minimum / maximum allowable bore.) Standard parallel keyways conform to USAS B17.1:1967 and standard metric keyways conform to DIN-6885, PART-1 (unless otherwise specified)

Couplings can also be supplied bored to suit customers exact specifications or with the minimum / pilot bore conditions to permit machining by the customer. (the minimum / pilot bore is shown in brackets on the dimension pages)

ELFLEX couplings are also available with an integral brake drum (Type FBC)

Coupling Misalignment

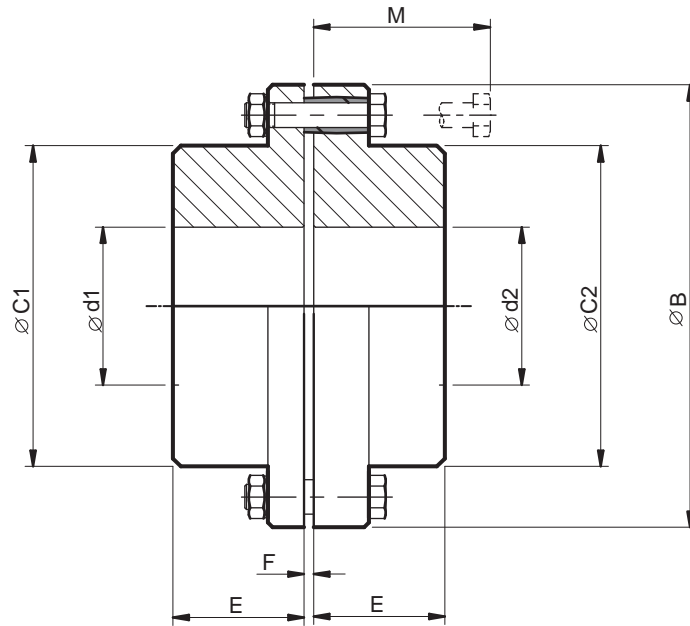
Maximum life and minimum maintenance for the coupling and connected machinery will result if the couplings are accurately aligned. ELFLEX couplings should be aligned within limits as shown in table below:


Size		
	< ° (max)	Inch
EFC01-07	1.0°	0.006
EFC08-12	1.0°	0.008
> EFC14	1.0°	0.010
FC630- FC1600	1.0°	0.010

COUPLINGS

ELFLEX FLEXIBLE COUPLINGS

Elfex Couplings Type EFC

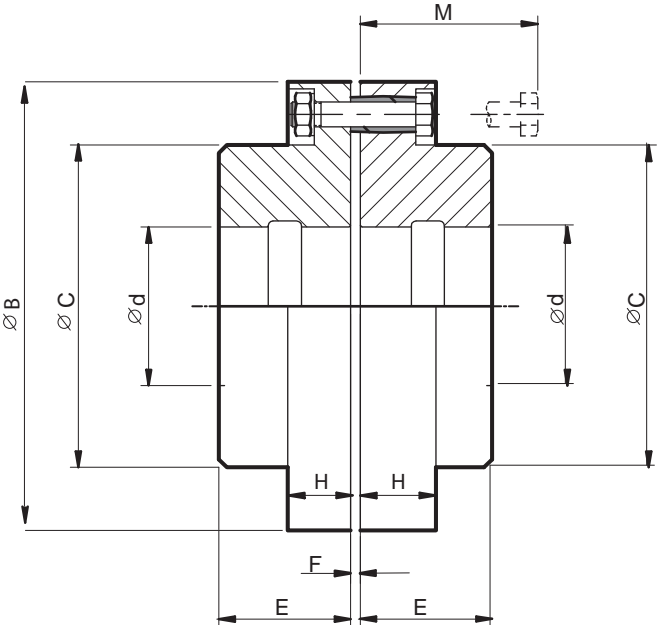



	Tk lb.ft	P / N Hp/rpm	Ød1 Inch	Ød2 Inch	ØB Inch	ØC1 Inch	ØC2 Inch	E Inch	F Inch	M Inch	#	 Lb	J lb.ft²	N max rpm
EFC01	51.6	0.010	0.63 - 1.25 (0.47)	0.63 - 1.00 (0.47)	3.35	1.89	1.65	1.26	0.12	1.97	4	3.3	0.095	7860
EFC02	79.7	0.015	0.63 - 1.50 (0.47)	0.63 - 1.25 (0.47)	4.13	2.36	1.89	1.50	0.12	2.05	4	5.5	0.24	6360
EFC03	155	0.029	0.63 - 1.63 (0.47)	0.63 - 1.50 (0.47)	4.41	2.48	2.36	1.65	0.12	2.05	5	6.6	0.33	5960
EFC04	243	0.046	0.75 - 1.88 (0.63)	0.75 - 1.75 (0.63)	5.00	2.83	2.48	1.89	0.12	2.52	6	10.5	0.66	5260
EFC05	391	0.074	0.75 - 2.13 (0.63)	0.75 - 1.88 (0.63)	5.67	3.23	2.95	2.17	0.12	2.52	8	15.4	1.14	4635
EFC06	468	0.089	0.75 - 2.38 (0.63)	0.75 - 2.12 (0.63)	6.38	3.54	3.23	2.36	0.12	2.91	6	21.0	2.06	4120
EFC07	642	0.12	0.75 - 2.75 (0.63)	0.75 - 2.50 (0.63)	7.09	4.13	3.86	2.76	0.12	2.91	8	26.5	3.39	3710
EFC08	1210	0.23	0.75 - 3.25 (0.63)	0.75 - 2.88 (0.63)	8.66	5.00	4.41	3.35	0.20	3.94	6	52.9	9.80	3035
EFC09	1512	0.29	0.75 - 3.75 (0.63)	0.75 - 3.25 (0.63)	9.45	5.51	5.04	3.74	0.20	3.94	8	68.4	14.52	2780
EFC10	2257	0.43	1.75 - 4.13 (1.57)	1.75 - 3.75 (1.57)	10.63	6.18	5.91	4.13	0.20	3.94	10	88.2	24.44	2475
EFC11	2692	0.51	1.75 - 4.25 (1.57)	1.75 - 4.00 (1.57)	11.22	6.38	6.10	4.33	0.20	4.96	8	110.3	36.54	2345
EFC12	3356	0.64	1.75 - 4.75 (1.57)	1.75 - 4.50 (1.57)	12.60	7.17	6.69	4.92	0.20	4.96	10	154	59.56	2085
EFC13	4491	0.86	1.75 - 5.12 (1.57)	1.75 - 4.88 (1.57)	13.39	7.72	7.28	5.51	0.24	5.98	8	203	92.55	1965
EFC14	6571	1.25	1.75 - 5.50 (1.57)	1.75 - 5.25 (1.57)	14.17	8.07	7.87	5.91	0.24	5.98	10	243	119	1855
EFC15	8880	1.69	2.37 - 6.25 (1.57)	2.37 - 6.25 (2.16)	16.14	9.25	9.25	6.69	0.24	5.98	12	338	211	1630
EFC16	13710	2.61	2.37 - 6.88 (1.57)	2.37 - 6.88 (2.16)	17.72	10.04	10.04	7.28	0.24	7.36	8	463	361	1480
EFC17	19957	3.80	2.37 - 7.63 (1.57)	2.37 - 7.63 (2.16)	19.69	11.42	11.42	8.07	0.24	7.36	10	618	581	1335

COUPLINGS

ELFLEX FLEXIBLE COUPLINGS

Elfex Couplings Type FC

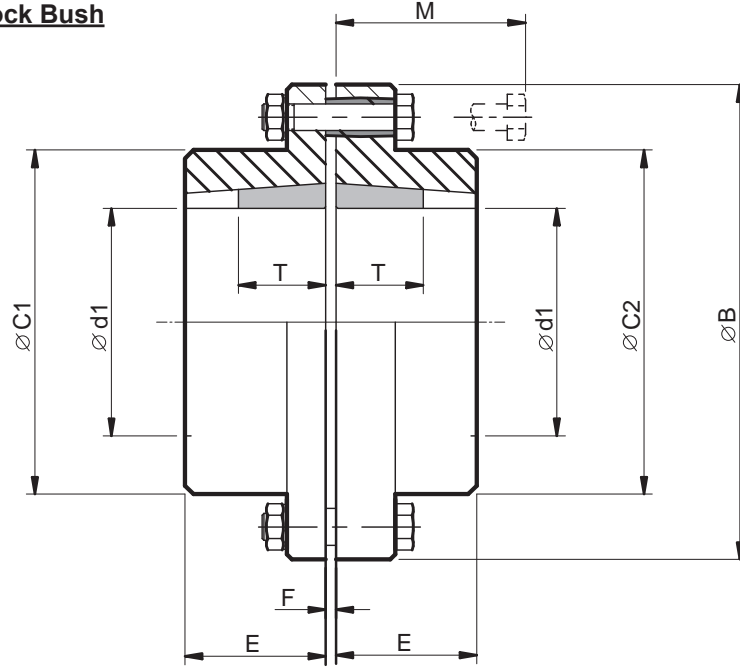




	Tk Lb.ft	P / N HP/rpm	$\varnothing d$ Inch	$\varnothing B$ Inch	$\varnothing C$ Inch	E Inch	F Inch	M Inch	H Inch	#	 Lb	J Lb.ft ²	N max rpm
FC630	23600	4.49	4.75 - 9.00	24.80	14.17	10.24	0.47	4.33	4.72	14	904	1566	1050
FC710	33188	6.32	4.75 - 9.25	27.95	15.35	11.02	0.47	5.12	5.31	18	1235	2705	940
FC800	44988	8.57	4.75 - 10.00	31.50	16.93	11.81	0.47	5.12	5.31	18	1655	4438	850
FC900	63425	12.08	5.50 - 11.25	35.43	18.90	12.60	0.47	5.91	5.98	12	2184	7309	750
FC1000	89975	17.13	7.00 - 12.50	39.37	21.26	13.78	0.55	5.91	5.98	16	2868	11248	670
FC1120	121688	23.17	9.00 - 13.75	44.09	23.23	14.96	0.55	6.69	6.69	16	3750	19554	600
FC1250	169625	32.30	9.50 - 15.00	49.21	25.20	16.54	0.55	6.69	6.69	20	4743	30185	530
FC1400	236000	44.94	14.25 - 16.50	55.12	28.35	18.11	0.55	7.48	7.68	14	6728	52514	480
FC1600	317125	60.38	11.00 - 18.00	62.99	29.53	19.69	0.55	7.48	7.68	20	8714	98788	430


COUPLINGS

ELFLEX FLEXIBLE COUPLINGS

Elfex Couplings with Taperlock Bush



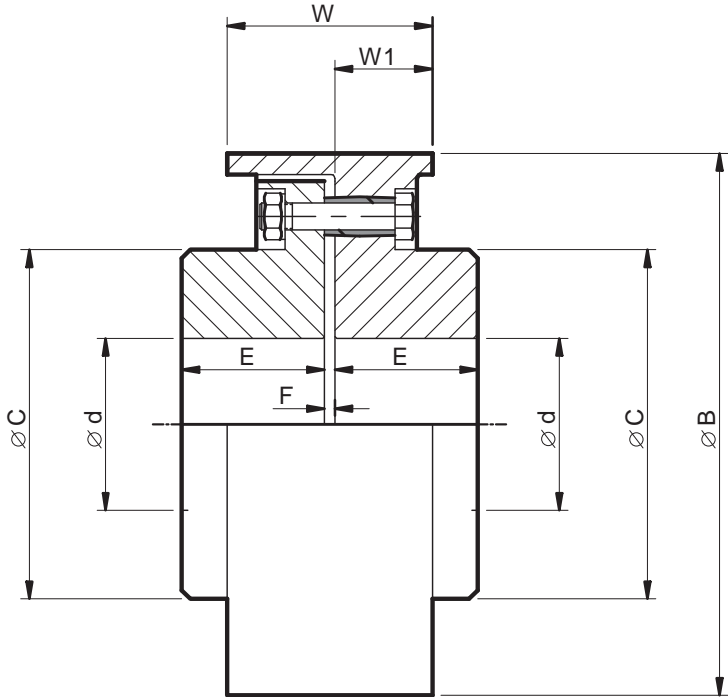
	Tk Lb.ft	P / N HP/rpm	Ød1 Inch	ØB Inch	ØC1 Inch	ØC2 Inch	E Inch	F Inch	M Inch	#	T Inch		 Lb	J Lb.ft²	N max rpm
EFC03	155	0.029	0.375 - 1.00	4.41	2.48	2.36	1.65	0.12	2.05	5	0.88	1108	6.6	0.332	5960
EFC04	243	0.046	0.625 - 1.125	5.00	2.83	2.48	1.89	0.12	2.52	6	1.00	1210	10.5	0.664	5260
EFC05	391	0.074	0.625 - 1.500	5.67	3.23	2.95	2.17	0.12	2.52	8	1.50	1615	15.4	1.14	4635
EFC06	468	0.089	0.625 - 1.500	6.38	3.54	3.23	2.36	0.12	2.91	6	1.50	1615	21.0	2.06	4120
EFC07	642	0.122	0.750 - 2.00	7.09	4.13	3.86	2.76	0.12	2.91	8	1.25	2012	26.5	3.39	3710
EFC08	1210	0.230	0.750 - 2.500	8.66	5.00	4.41	3.35	0.20	3.94	6	1.75	2517	52.9	9.80	3035
EFC09	1512	0.288	0.750 - 2.500	9.45	5.51	5.04	3.74	0.20	3.94	8	1.75	2517	68.4	14.5	2780
EFC10	2257	0.430	1.125 - 3.000	10.63	6.18	5.91	4.13	0.20	3.94	10	3.00	3030	88.2	24.4	2475
EFC11	2692	0.513	1.125 - 3.000	11.22	6.38	6.10	4.33	0.20	4.96	8	3.00	3030	110	36.5	2345


		0.375"	0.500"	0.625"	0.750"	0.875"	1.000"	1.125"	1.375"	1.500"	1.625"	1.750"	1.875"	2.000"	2.125"	2.250"	2.375"	2.500"	2.625"	2.750"	2.872"	3.000"	
EFC03	1108	●	●	●	●	●	●																
EFC04	1210			●	●	●	●	●															
EFC05 - EFC06	1615			●	●	●	●	●	●	●													
EFC07	2012				●	●	●	●	●	●	●	●	●	●									
EFC08 - EFC09	2517				●	●	●	●	●	●	●	●	●	●	●	●	●	●	●				
EFC10 - EFC11	3030							●	●	●	●	●	●	●	●	●	●	●	●	●	●	●	●

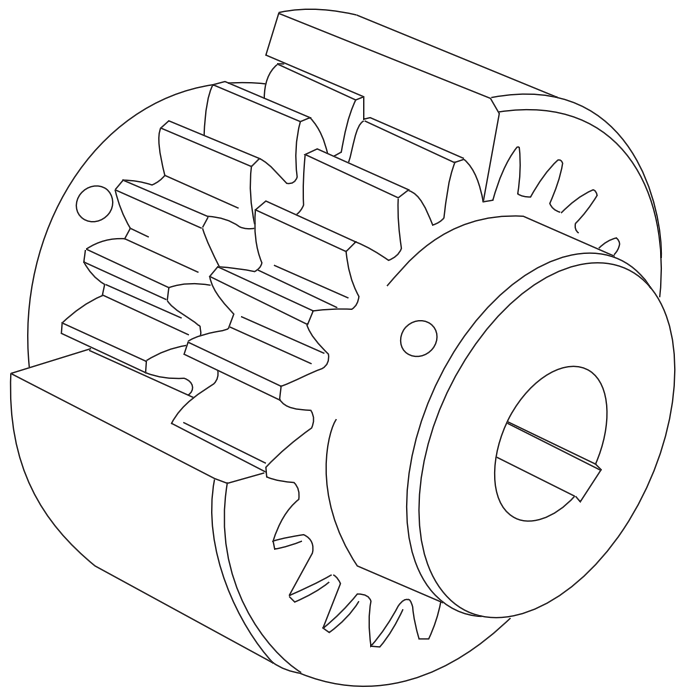
COUPLINGS

ELFLEX FLEXIBLE COUPLINGS

Elfex Coupling with Brake Drum Type FBC



	Tk lb.ft	P / N Hp/rpm	ϕd Inch	ϕB Inch	ϕC Inch	E Inch	F Inch	W Inch	W1 Inch	 Lb	J lb.ft ²	N max rpm
FBC100	88.5	0.017	0.63 - 1.00	3.94	1.57	1.26	0.12	2.95	1.57	6.62	0.36	5730
FBC150	146	0.028	0.63 - 1.25	5.91	2.13	1.65	0.12	3.35	1.69	17.6	2.14	3830
FBC160	162	0.031	0.63 - 1.25	6.30	2.13	1.65	0.12	3.35	1.69	19.9	3.08	3600
FBC200	472	0.090	0.63 - 2.12	7.87	3.62	2.36	0.12	3.74	1.81	37.5	7.59	2870
FBC250	664	0.126	0.63 - 2.25	9.84	4.13	2.95	0.12	4.72	2.36	55.2	23.7	2300
FBC300	1844	0.351	0.63 - 3.25	11.81	5.51	3.74	0.12	6.30	2.95	128	59.3	1910
FBC315	22123	0.421	0.63 - 3.25	12.40	5.51	3.74	0.12	6.30	2.95	137	67.6	1820
FBC400	26256	0.500	0.63 - 4.50	15.75	7.50	4.75	0.12	7.09	3.94	282	236	1440
FBC450	3319	0.632	0.63 - 4.50	17.72	7.50	4.75	0.12	7.87	3.94	364	365	1270
FBC500	7250	1.380	0.63 - 5.25'	19.69	9.25	5.75	0.12	8.86	4.43	538	653	1150



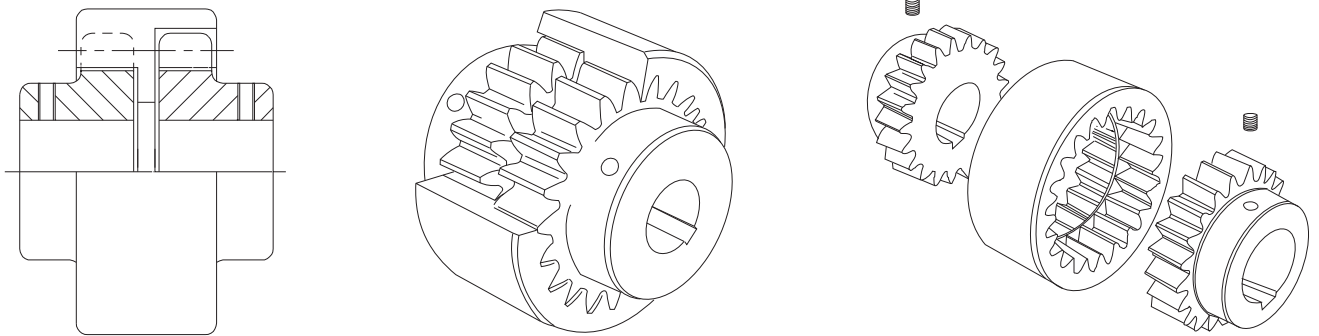
NYLICON

GEAR COUPLINGS WITH NYLON SLEEVE

COUPLINGS

NYLICON COUPLINGS

Gear Couplings with Nylon Sleeve



General Description

Nylicon flexible gear couplings, types X600, are available in three sizes and are ideal for small power drives with bore sizes up to 2.25 inches (55mm) diameter and a basic rated torque up to 342 Lb.ft

Uniform Loading

Thermosetting plastic sleeves provide non conductive assemblies. Staggered internal teeth ensure uniform loading and an internal central buffer ring between the two hubs promote axial location giving protection to the gear teeth.

Low Cost Option

They compensate for all types of shaft misalignment and allow a small amount of end float. Nylicon couplings are easy to assemble and require no maintenance giving low cost reliable service under the most arduous conditions of weather, atmospheric pollution or humidity.

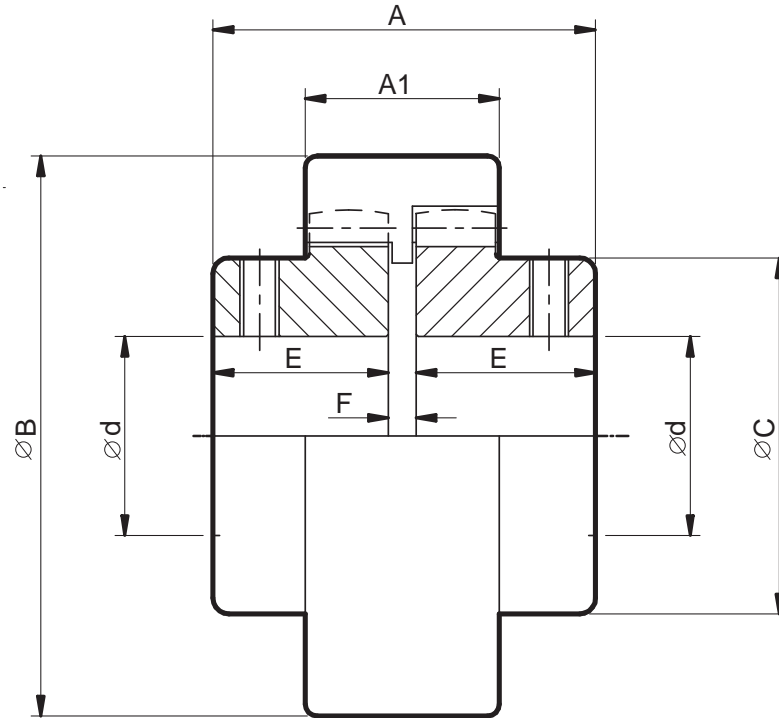
Specification


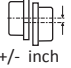

Nylicon couplings are available pilot bored (i.e. without keyways) allowing the customer to finish machine bores and keyways to special requirements, or supplied with standard bores and keyways. Each size of coupling can have any combination of pilot and/or standard bores. Socket set screws and setting gauge are provided with each coupling.

COUPLINGS

NYLICON COUPLINGS

Nylicon Gear Couplings with Nylicon Sleeve



	Tk Lb.ft	P / N HP/rpm	A Inch	A1 Inch	ØB Inch	ØC Inch	Ød Inch	E Inch	F Inch	 < °	 +/- inch	 Lb	J Lb.ft²	N max rpm
01	41.7	0.008	1.97	1.10	2.52	1.54	0.50 - 0.88 (0.40)	0.87	0.24	0.75	0.008	1.10	0.024	4000
02	162.	0.031	2.99	1.65	3.50	2.28	0.75 - 1.5 (0.60)	1.38	0.24	0.75	0.008	3.71	1.114	3410
03	342	0.065	4.09	2.20	4.53	3.07	1.18 - 2.13 (1.10)	1.89	0.31	0.75	0.008	9.60	0.403	2630

COUPLINGS

PRODUCT SAFETY

IMPORTANT

Product Safety Information

General - The following information is important in ensuring safety. It must be brought to the attention of personnel involved in the selection of power transmission equipment, those responsible for the design of the machinery in which it is to be incorporated and those involved in its installation, use and maintenance.

Our equipment will operate safely provided it is selected, installed, used and maintained properly. As with any power transmission equipment proper precautions must be taken as indicated in the following paragraphs, to ensure safety.

Potential Hazards - these are not necessarily listed in any order of severity as the degree of danger varies in individual circumstances. It is important therefore that the list is studied in its entirety:-

- 1) Fire/Explosion
 - (a) Oil mists and vapour are generated within gear units. It is therefore dangerous to use naked lights in the proximity of gearbox openings, due to the risk of fire or explosion.
 - (b) In the event of fire or serious overheating (over 300 °C), certain materials (rubber, plastics, etc.) may decompose and produce fumes. Care should be taken to avoid exposure to the fumes, and the remains of burned or overheated plastic/rubber materials should be handled with rubber gloves.
- 2) Guards - Rotating shafts and couplings must be guarded to eliminate the possibility of physical contact or entanglement of clothing. It should be of rigid construction and firmly secured.
- 3) Noise - High speed gearboxes and gearbox driven machinery may produce noise levels which are damaging to the hearing with prolonged exposure. Ear defenders should be provided for personnel in these circumstances. Reference should be made to the Department of Employment Code of Practice for reducing exposure of employed persons to noise.
- 4) Lifting - Where provided (on larger units) only the lifting points or eyebolts must be used for lifting operations (see maintenance manual or general arrangement drawing for lifting point positions). Failure to use the lifting points provided may result in personal injury and/or damage to the product or surrounding equipment. Keep clear of raised equipment.
- 5) Lubricants and Lubrication
 - (a) Prolonged contact with lubricants can be detrimental to the skin. The manufacturer's instruction must be followed when handling lubricants.
 - (b) The lubrication status of the equipment must be checked before commissioning. Read and carry out all instructions on the lubricant plate and in the installation and maintenance literature. Heed all warning tags. Failure to do so could result in mechanical damage and in extreme cases risk of injury to personnel.
- 6) Electrical Equipment - Observe hazard warnings on electrical equipment and isolate power before working on the gearbox or associated equipment, in order to prevent the machinery being started.
- 7) Installation, Maintenance and Storage
 - (a) In the event that equipment is to be held in storage, for a period exceeding 6 months, prior to installation or commissioning, we must be consulted regarding special preservation requirements. Unless otherwise agreed, equipment must be stored in a building protected from extremes of temperature and humidity to prevent deterioration.
The rotating components (gears and shafts) must be turned a few revolutions once a month (to prevent bearings brinelling).
 - (b) External gearbox components may be supplied with preservative materials applied, in the form of a "waxed" tape overwrap or wax film preservative. Gloves should be worn when removing these materials. The former can be removed manually, the latter using white spirit as a solvent.
Preservatives applied to the internal parts of the gear units do not require removal prior to operation.
 - (c) Installation must be performed in accordance with the manufacturer's instructions and be undertaken by suitably qualified personnel.
 - (d) Before working on a gearbox or associated equipment, ensure that the load has been removed from the system to eliminate the possibility of any movement of the machinery and isolate power supply. Where necessary, provide mechanical means to ensure the machinery cannot move or rotate. Ensure removal of such devices after work is complete.
 - (e) Ensure the proper maintenance of gearboxes in operation. Use only the correct tools and our approved spare parts for repair and maintenance. Consult the Maintenance Manual before dismantling or performing maintenance work.
- 8) Hot Surfaces and Lubricants
 - (a) During operation, gear units may become sufficiently hot to cause skin burns. Care must be taken to avoid accidental contact.
 - (b) After extended running the lubricant in gear units and lubrication systems may reach temperatures sufficient to cause burns. Allow equipment to cool before servicing or performing adjustments.
- 9) Selection and Design
 - (a) Where gear units provide a backstop facility, ensure that back-up systems are provided if failure of the backstop device would endanger personnel or result in damage.
 - (b) The driving and driven equipment must be correctly selected to ensure that the complete machinery installation will perform satisfactorily, avoiding system critical speeds, system torsional vibration, etc.
 - (c) The equipment must not be operated in an environment or at speeds, powers, torques or with external loads beyond those for which it was designed.
 - (d) As improvements in design are being made continually the contents of this catalogue are not to be regarded as binding in detail, and drawings and capacities are subject to alterations without notice.

The above guidance is based on the current state of knowledge and our best assessment of the potential hazards in the operation of the gear units.

Any further information or clarification required may be obtained by contacting our Application Engineers.

CONTACT US

AUSTRALIA

Radicon Transmission (Australia) PTY Ltd

Australia
Please refer to web site

EUROPE

Benzler TBA BV

Jachthavenweg 2
NL-5928 NT Venlo

Austria
Tel: +43 7 229 618 91
Fax: +43 7 229 618 84

Germany
Tel: 0800 350 40 00
Fax: 0800 350 40 01

Italy
Tel: +39 02 824 3511

Netherlands & the rest of Europe
Tel: +31 77 324 59 00
Fax: +31 77 324 59 01

DENMARK

Benzler Transmission A/S

Dalager 1
DK-2605 Brøndby,
Denmark

Tel: +45 36 34 03 00
Fax: +45 36 77 02 42

FINLAND

Oy Benzler AB

Vanha Talvitie 3C
FI-00580 Helsingfors,
Finland

Tel: +358 9 340 1716
Fax: +358 10 296 2072

INDIA

Elecon. Engineering Company Ltd.

Anand Sojitra Road
Vallabh Vidyanagar
388120 Gujarat
India

Tel: +91 2692 236513
Fax: +91 2692 227484

SWEDEN & NORWAY

AB Benzlers

Porfyrgatan
254 68 Helsingborg
Sweden

Tel: +46 42 18 68 00
Fax: +46 42 21 88 03

THAILAND

Radicon Transmission (Thailand) Ltd

700/43 Moo 6
Amata Nakorn Industrial Estate
Tumbol Klontumru
Muang,
Chonburi
20000
Thailand

Tel: +66 3845 9044
Fax: +66 3821 3655

UNITED KINGDOM

Radicon Transmission UK Ltd

Unit J3
Lowfields Business Park,
Lowfields Way, Elland
West Yorkshire, HX5 9DA

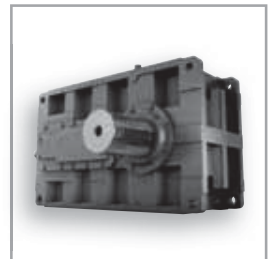
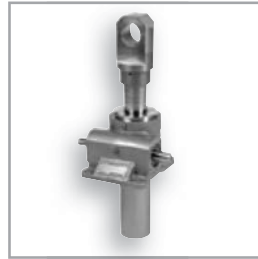
Tel: +44 1484 465 800
Fax: +44 1484 465 801

USA

Radicon USA Transmission Ltd

1599 Lunt Avenue
Elk Grove Village
Chicago
Illinois
60007
USA

Tel: +1 847 593 9910
Fax: +1 847 593 9950



benzlers[☼]

radicon[☼]

Benzlers

Denmark +45 36 34 03 00

Finland +358 9 340 1716

Germany +49 800-350 4000

Sweden +46 42 186800

The Netherlands +31 77 324 59 00

www.benzlers.com

Radicon

Thailand +66 3845 9044

United Kingdom +44 (0) 1484 465 800

USA +1 847 593 9910

www.radicon.com